

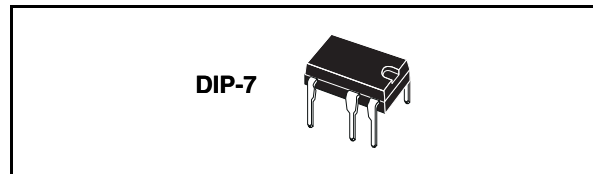
Off-line high voltage converters

Features

- 800 V avalanche rugged power section
- PWM operation with frequency jittering for low EMI
- Operating frequency:
 - 60 kHz for L type
 - 115 kHz for H type
- Standby power < 50 mW at 265 Vac
- Limiting current with adjustable set point
- Adjustable and accurate over voltage protection
- On-board soft-start
- Safe auto-restart after a fault condition
- Hysteretic thermal shutdown

Application

- Adapters for PDA, camcorders, shavers, cellular phones, videogames
- Auxiliary power supply for LCD/PDP TV, monitors, Audio systems, computer, industrial
- SMPS for set-top boxes, DVD players and recorders, white goods.



Description

The device is an off-line converter with an 800 V rugged power section, a PWM control, two levels of over current protection, over voltage and overload protections, hysteretic thermal protection, soft-start and safe auto-restart after any fault condition removal. Burst mode operation and device very low consumption helps to meet the standby energy saving regulations.

Advance frequency jittering reduces EMI filter cost. Brown-out function is embedded into the high voltage start-up.

Figure 1. Typical topology

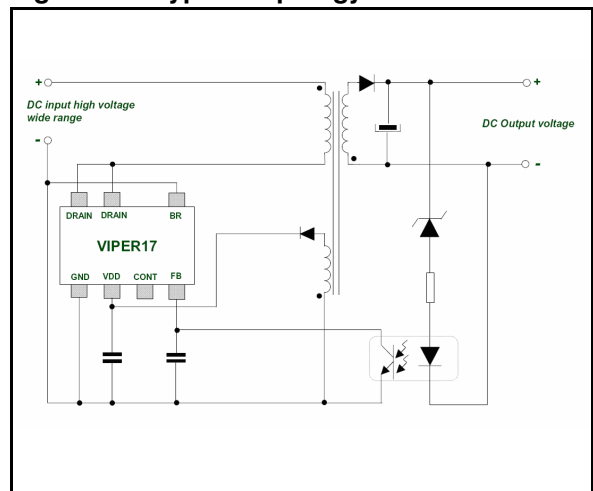


Table 1. Device summary

| Order codes | Package | Packaging |
|-------------|---------|-----------|
| VIPER17LN | DIP-7 | Tube |
| VIPER17HN | | |

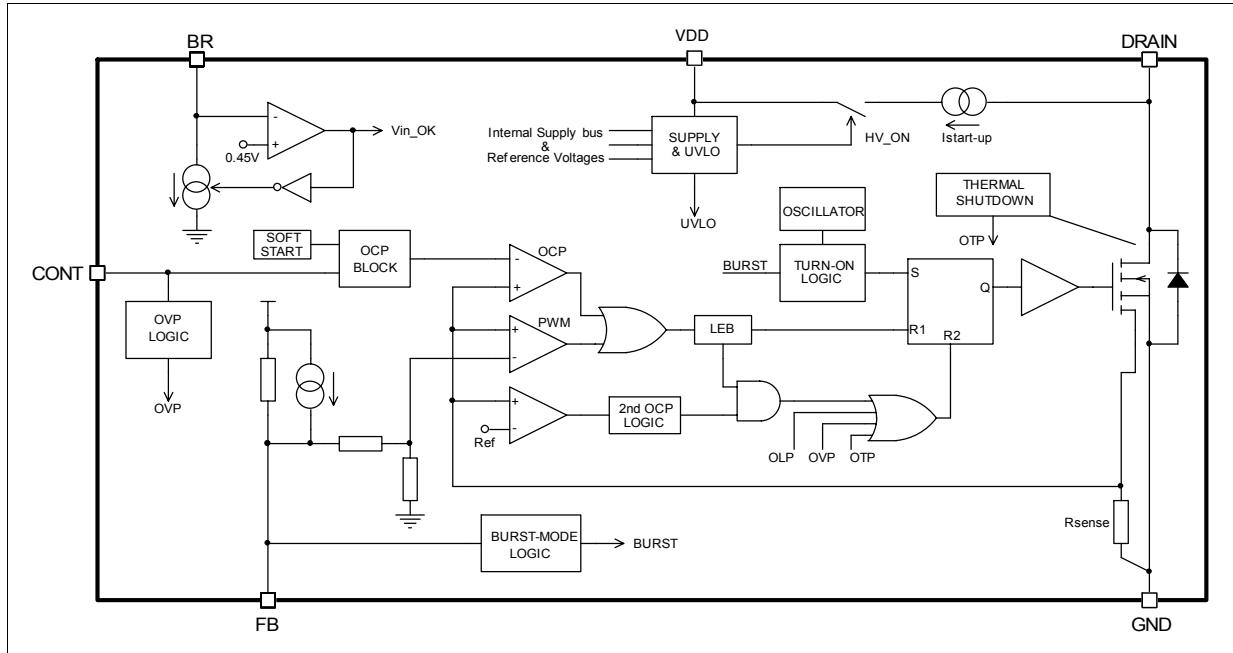
Contents

| | | |
|----------|---|-----------|
| 1 | Block diagram | 4 |
| 2 | Typical power | 4 |
| 3 | Pin settings | 5 |
| 3.1 | Connection diagram | 5 |
| 3.2 | Pin description | 5 |
| 4 | Electrical data | 6 |
| 4.1 | Maximum ratings | 6 |
| 4.2 | Thermal data | 6 |
| 4.3 | Electrical characteristics | 7 |
| 5 | Typical electrical characteristics | 11 |
| 6 | Typical circuit | 14 |
| 7 | Operation descriptions | 15 |
| 7.1 | Power section and gate driver | 15 |
| 7.2 | High voltage startup generator | 15 |
| 7.3 | Power-up and soft-start up | 16 |
| 7.4 | Power down operation | 18 |
| 7.5 | Auto restart operation | 18 |
| 7.6 | Oscillator | 18 |
| 7.7 | Current mode conversion with adjustable current limit set point | 19 |
| 7.8 | Over Voltage Protection (OVP) | 19 |
| 7.9 | About CONT pin | 21 |
| 7.10 | Feed-back and Over Load Protection (OLP) | 21 |
| 7.11 | Burst-mode operation at no load or very light load | 24 |
| 7.12 | Brown-out protection | 25 |
| 7.13 | 2nd level over current protection and hiccup mode | 27 |

| | | |
|----------|--------------------------------------|-----------|
| 8 | Package mechanical data | 28 |
| 9 | Revision history | 30 |

1 Block diagram

Figure 2. Block diagram



2 Typical power

Table 2. Typical power

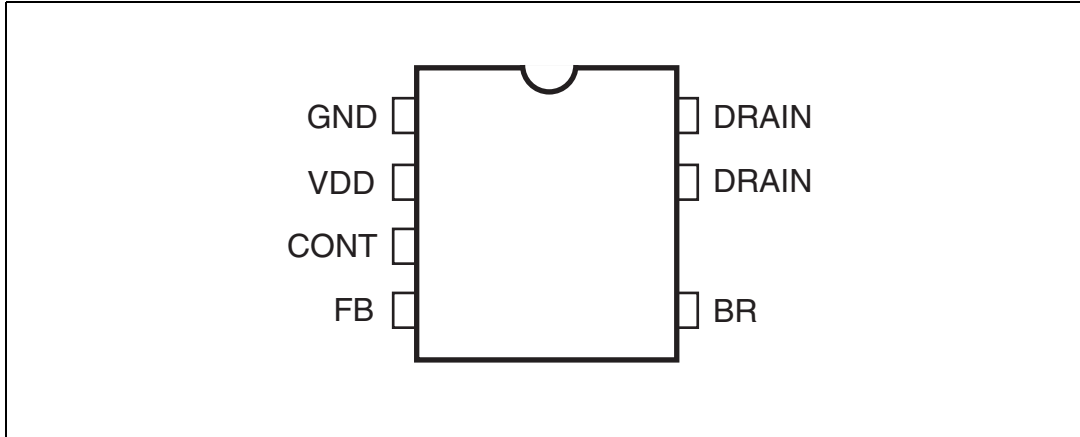
| Part number | 230 V _{AC} | | 85-265 V _{AC} | |
|-------------|------------------------|---------------------------|------------------------|---------------------------|
| | Adapter ⁽¹⁾ | Open frame ⁽²⁾ | Adapter ⁽¹⁾ | Open frame ⁽²⁾ |
| VIPER17 | 9 W | 12 W | 5 W | 7 W |

1. Typical continuous power in non ventilated enclosed adapter measured at 50 °C ambient.
2. Maximum practical continuous power in an open frame design at 50 °C ambient, with adequate heat sinking.

3 Pin settings

3.1 Connection diagram

Figure 3. Connection diagram (top view)



3.2 Pin description

Table 3. Pin description

| N. | Name | Function |
|-----|-------|---|
| 1 | GND | This pin represents the device ground and the source of the power section. |
| 2 | VDD | Supply voltage of the control section. This pin also provides the charging current of the external capacitor during start-up time. |
| 3 | CONT | Control pin. The following functions can be selected: 1. current limit set point adjustment. The internal set default value of the cycle-by-cycle current limit can be reduced by connecting to ground an external resistor. 2. output voltage monitoring. A voltage exceeding 3V shuts the IC down reducing the device consumption. This function is strobed and digitally filtered for high noise immunity. |
| 4 | FB | Control input for duty cycle control. Internal current generator provides bias current for loop regulation. A voltage below 0.5 V activates the burst-mode operation. A level close to 3.3 V means that we are approaching the cycle-by-cycle over-current set point. |
| 5 | BR | Brownout protection input with hysteresis. A voltage below 0.45 V shuts down (not latch) the device and lowers the power consumption. Device operation restarts as the voltage exceeds 0.45 V plus hysteresis voltage. It can be connected to ground when not used. |
| 7,8 | DRAIN | High voltage drain pin. The built-in high voltage switched start-up bias current is drawn from this pin too. |

4 Electrical data

4.1 Maximum ratings

Table 4. Absolute maximum ratings

| Symbol | Pin | Parameter | Value | Unit |
|--------------------|------|--|--------------|------|
| V _{DRAIN} | 7, 8 | Drain-to-source (ground) voltage | 800 | V |
| E _{AV} | 7, 8 | Repetitive avalanche energy (limited by T _J = 150 °C) | 2 | mJ |
| I _{AR} | 7, 8 | Repetitive avalanche current (limited by T _J = 150 °C) | 0.6 | A |
| I _{DRAIN} | 7, 8 | Pulse drain current | 0.7 | A |
| V _{CONT} | 3 | Control input pin voltage (with I _{CONT} = 1 mA) | Self limited | V |
| V _{FB} | 4 | Feedback voltage | -0.3 to 5.5 | V |
| V _{BR} | 5 | Brown-out input pin voltage | 2 | V |
| V _{DD} | 2 | Supply voltage (I _{DD} = 25 mA) | Self limited | V |
| P _{TOT} | | Power dissipation at T _A < 50 °C | 1 | W |
| T _J | | Operating junction temperature range | -40 to 150 | °C |
| T _{STG} | | Storage temperature | -55 to 150 | °C |

4.2 Thermal data

Table 5. Thermal data

| Symbol | Parameter | Max value | Unit |
|-------------------|-------------------------------------|-------------------|------|
| R _{thJP} | Thermal resistance junction pin | 40 | °C/W |
| R _{thJA} | Thermal resistance junction ambient | 90 | °C/W |
| | | 80 ⁽¹⁾ | °C/W |

1. When mounted on a standard single side FR4 board whit 200 mm² (0.31 sq in) Of Cu (35 m thick)

4.3 Electrical characteristics

($T_J = -25$ to 125 °C, $V_{DD} = 14$ V; unless otherwise specified)

Table 6. Power section

| Symbol | Parameter | Test condition | Min | Typ | Max | Unit |
|--------------|---|---|-----|-----|-----|------|
| V_{BVDS} | Break-down voltage | $I_{DRAIN} = 1$ mA, $V_{FB} = GND$ $T_J = 25$ °C | 800 | | | V |
| I_{OFF} | OFF state drain current | $V_{DRAIN} = \text{max rating}$, $V_{FB} = GND$ | | | 60 | μA |
| $R_{DS(on)}$ | Drain-source on state resistance | $I_{DRAIN} = 0.2$ A, $V_{FB} = 3$ V, $V_{BR} = GND$, $T_J = 25$ °C | | 20 | 24 | Ω |
| | | $I_{DRAIN} = 0.2$ A, $V_{FB} = 3$ V, $V_{BR} = GND$, $T_J = 125$ °C | | 40 | 48 | Ω |
| C_{OSS} | Effective (energy related) output capacitance | $V_{DRAIN} = 0$ to 640 V | | 10 | | pF |

Table 7. Supply section

| Symbol | Parameter | Test condition | Min | Typ | Max | Unit |
|--------------------|--|---|------|------|------|------|
| Voltage | | | | | | |
| V_{DRAIN_START} | Drain-source start voltage | | 60 | 80 | 100 | V |
| I_{DD_CH} | Start up charging current | $V_{DRAIN} = 120$ V, $V_{BR} = GND$, $V_{FB} = GND$, $V_{DD} = 4$ V | -2 | -3 | -4 | mA |
| | | $V_{DRAIN} = 120$ V , $V_{BR} = GND$, $V_{FB} = GND$, $V_{DD} = 4$ V after fault. | -0.4 | -0.6 | -0.8 | mA |
| V_{DD} | Operating voltage range | After turn-on | 8.5 | | 23.5 | V |
| $V_{DDclamp}$ | V_{DD} clamp voltage | $I_{DD} = 20$ mA | 23.5 | | | V |
| V_{DDon} | V_{DD} start up threshold | | 13 | 14 | 15 | V |
| V_{DDoff} | V_{DD} under voltage shutdown threshold | $V_{DRAIN} = 120$ V, $V_{BR} = GND$, $V_{FB} = GND$ | 7.5 | 8 | 8.5 | V |
| $V_{DD(RESTART)}$ | V_{DD} restart voltage threshold | $V_{DRAIN} = 120$ V, $V_{BR} = GND$, $V_{FB} = GND$ | 4 | 4.5 | 5 | V |
| Current | | | | | | |
| I_{DD0} | Operating supply current, not switching | $V_{FB} = GND$, $F_{SW} = 0$ kHz, $V_{BR} = GND$, $V_{DD} = 10$ V | | | 0.9 | mA |
| I_{DD1} | Operating supply current, switching | $V_{DRAIN} = 120$ V, $F_{SW} = 60$ kHz | | | 1.8 | mA |
| | | $V_{DRAIN} = 120$ V, $F_{SW} = 115$ kHz | | | 2 | mA |
| I_{DD_FAULT} | Operating supply current, with protection tripping | | | | 400 | μA |
| I_{DD_OFF} | Operating supply current with $V_{DD} < V_{DD_OFF}$ | $V_{DD} = 7$ V | | | 270 | μA |

Table 8. Controller section
($T_J = -25$ to 125 °C, $V_{DD} = 14$ V; unless otherwise specified)

| Symbol | Parameter | Test condition | Min | Typ | Max | Unit |
|---------------------------|--------------------------------------|--|------|---------|------|------------|
| Feedback pin | | | | | | |
| V_{FB_olp} | Over load shut down threshold | | 4.7 | 4.8 | 5.2 | V |
| V_{FB_lin} | Linear dynamics upper limit | | 3.2 | 3.3 | 3.4 | V |
| V_{FB_bm} | Burst mode threshold | Voltage falling | | 0.5 | | V |
| $V_{FB_bm_hys}$ | Burst mode hysteresis | Voltage rising | | 50 | | mV |
| I_{FB} | Feedback sourced current | $V_{FB} = 0.3$ V | -150 | -200 | -280 | uA |
| | | 3.3 V < V_{FB} < 4.8 V | | -3 | | uA |
| $R_{FB(DYN)}$ | Dynamic resistance | $V_{FB} < 3.3$ V | 14 | | 19 | k Ω |
| H_{FB} | $\Delta V_{FB} / \Delta I_D$ | | 4 | | 9 | V/A |
| CONT pin | | | | | | |
| V_{CONT_I} | Low level clamp voltage | $I_{CONT} = -100$ uA | | 0.5 | | V |
| Current limitation | | | | | | |
| I_{Dim} | Max drain current limitation | $V_{FB} = 4$ V, $I_{CONT} = -10$ μ A $T_J = 25$ °C | 0.38 | 0.4 | 0.42 | A |
| t_{SS} | Soft-start time | | | 8.5 | | ms |
| T_{ON_MIN} | Minimum turn ON time | | | 400 | | ns |
| t_d | Propagation delay | | | 150 | | ns |
| t_{LEB} | Leading edge blanking | | | 300 | | ns |
| I_{D_BM} | Peak drain current during burst mode | $V_{FB} = 0.6$ V | | 90 | | mA |
| Oscillator section | | | | | | |
| F_{OSC} | VIPER17L | V_{DD} = operating voltage range, $V_{FB} = 1$ V | 54 | 60 | 66 | kHz |
| | VIPER17H | | 103 | 115 | 127 | kHz |
| FD | Modulation depth | VIPER17L | | ± 4 | | kHz |
| | | VIPER17H | | ± 8 | | kHz |
| FM | Modulation frequency | | | 250 | | Hz |
| D_{MAX} | Maximum duty cycle | | 70 | | 80 | % |

Table 8. Controller section (continued)
 ($T_J = -25$ to 125 °C, $V_{DD} = 14$ V; unless otherwise specified)

| Symbol | Parameter | Test condition | Min | Typ | Max | Unit |
|---|-------------------------------------|-----------------|------|------|------|------|
| Over current protection (2nd OCP) | | | | | | |
| I_{DMAX} | Second over current threshold | | | 0.6 | | A |
| Over voltage protection | | | | | | |
| V_{OVP} | Over voltage protection threshold | | 2.7 | 3 | 3.3 | V |
| T_{STROBE} | Over voltage protection strobe time | | | 2.2 | | us |
| Brown out protection | | | | | | |
| V_{BRth} | Brown out threshold | Voltage falling | 0.41 | 0.45 | 0.49 | V |
| $V_{BR Hyst}$ | Voltage hysteresis above V_{BRth} | | | 50 | | mV |
| $I_{BR Hyst}$ | Current hysteresis | | 7 | | 10 | uA |
| V_{BR} | Operating range | | 0.15 | | 2 | V |
| V_{DIS} | Brown out disable voltage | | 50 | | 150 | mV |
| Thermal shutdown | | | | | | |
| T_{SD} | Thermal shutdown temperature | | 150 | 170 | | °C |
| T_{HYST} | Thermal shutdown hysteresis | | | 30 | | °C |

Figure 4. Minimum turn-on time test circuit

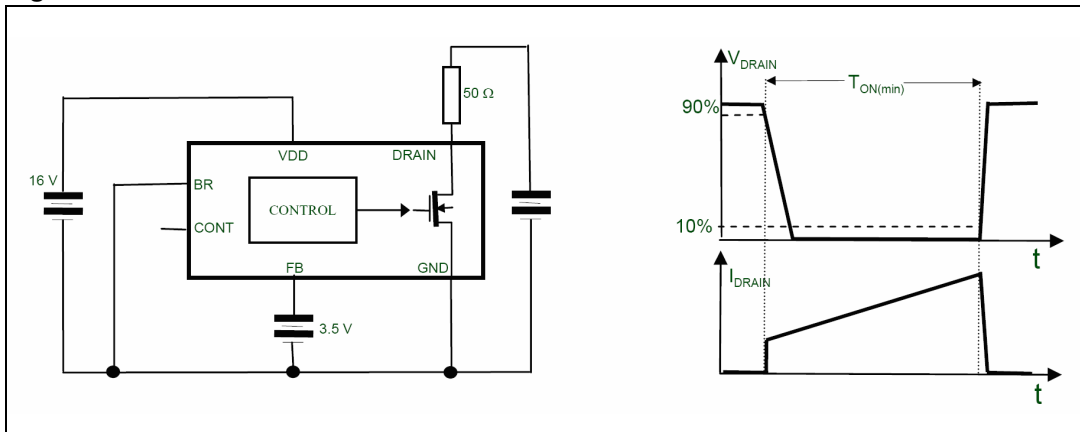


Figure 5. Brown out threshold test circuits

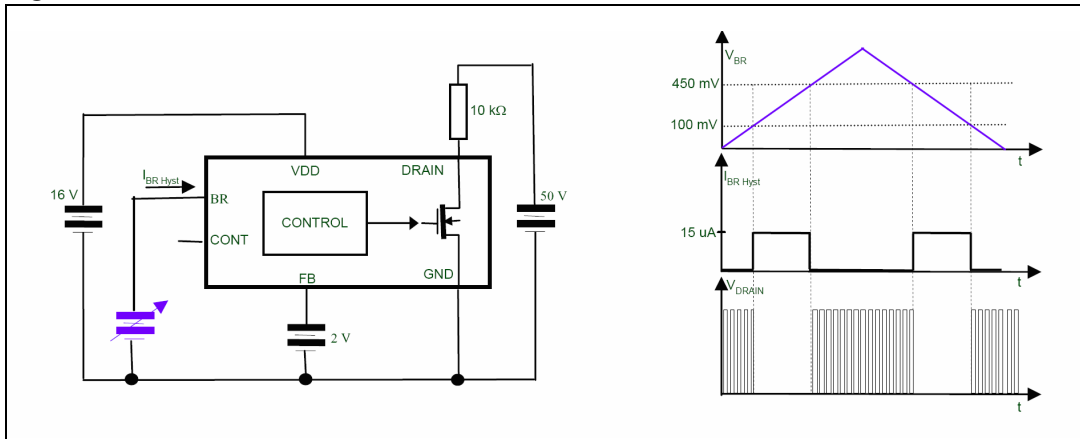
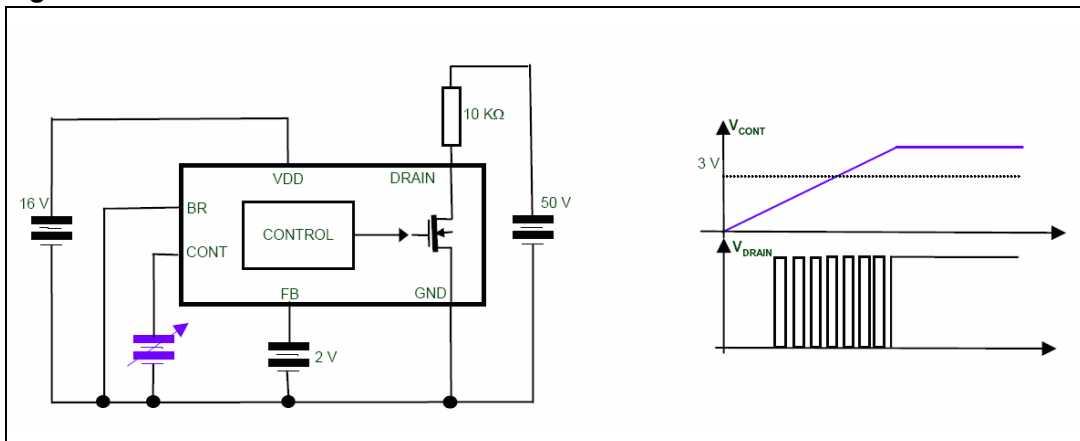


Figure 6. OVP threshold test circuits



5 Typical electrical characteristics

Figure 7. Current limit vs T_J

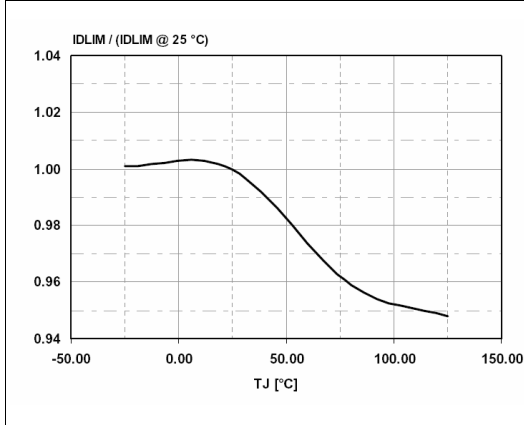


Figure 8. Switching frequency vs T_J

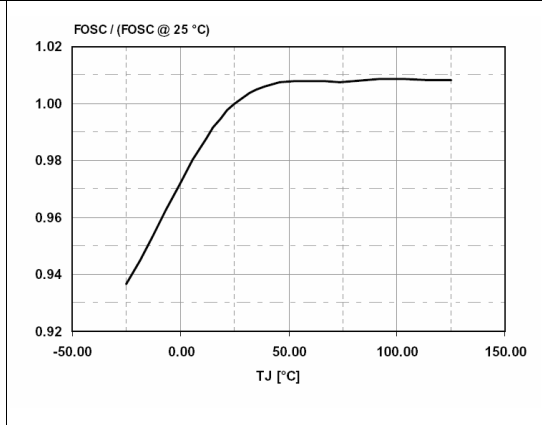


Figure 9. Drain start voltage vs T_J

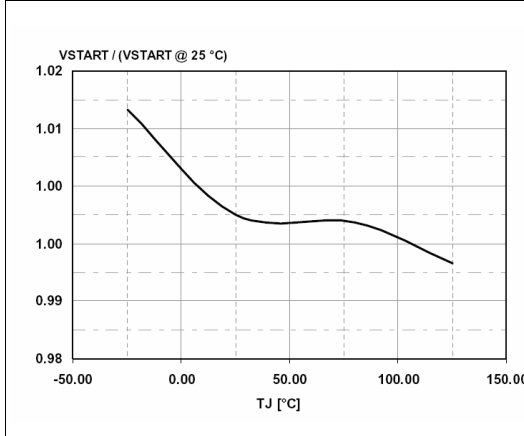


Figure 10. HFB vs T_J

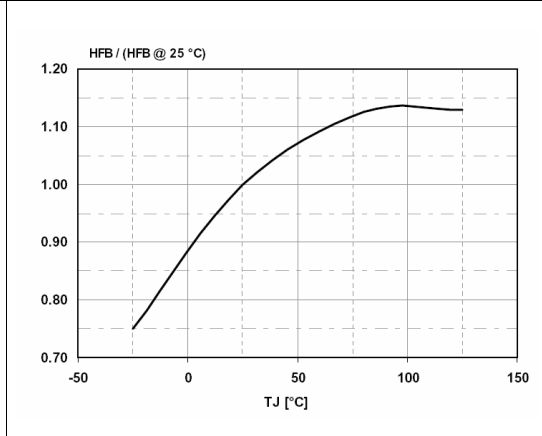


Figure 11. Brown out threshold vs T_J

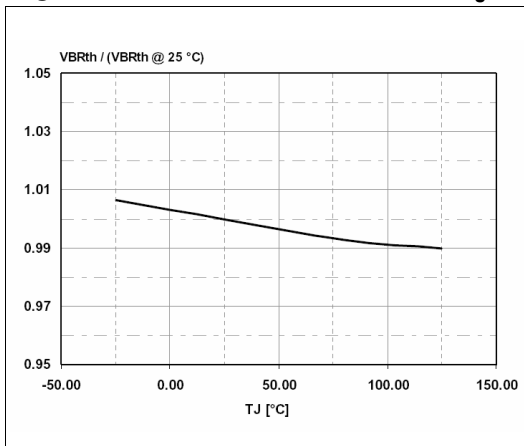


Figure 12. Brown out hysteresis vs T_J

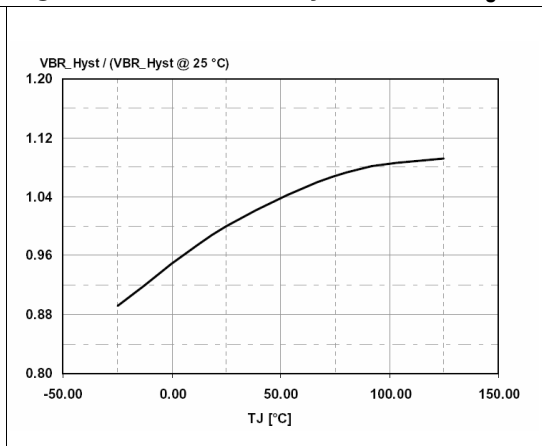


Figure 13. Brown out hysteresis current vs T_J

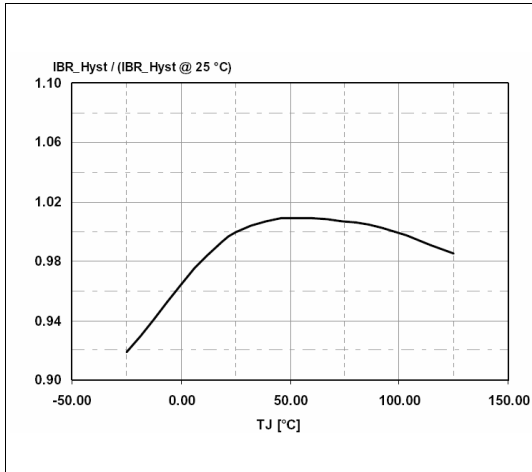


Figure 14. Operating supply current (no switching) vs T_J

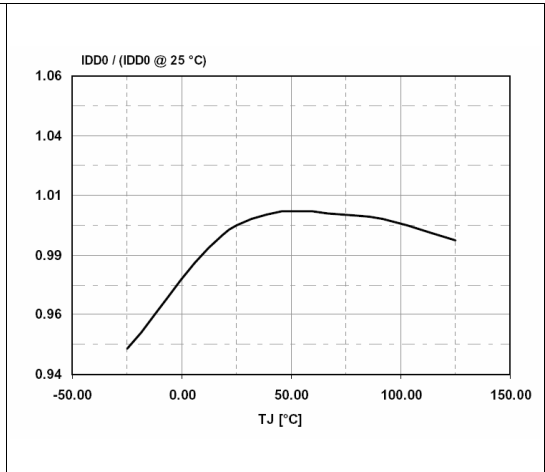


Figure 15. Operating supply current (switching) vs T_J

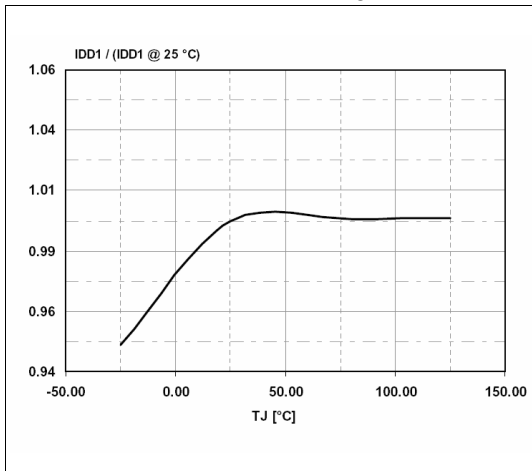


Figure 16. current limit vs R_{LIM}

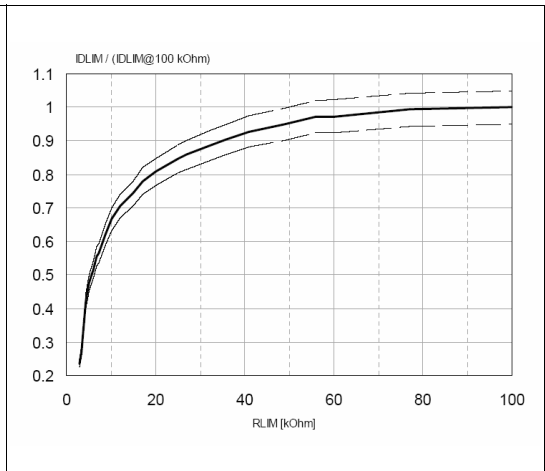


Figure 17. Power MOSFET on-resistance vs T_J

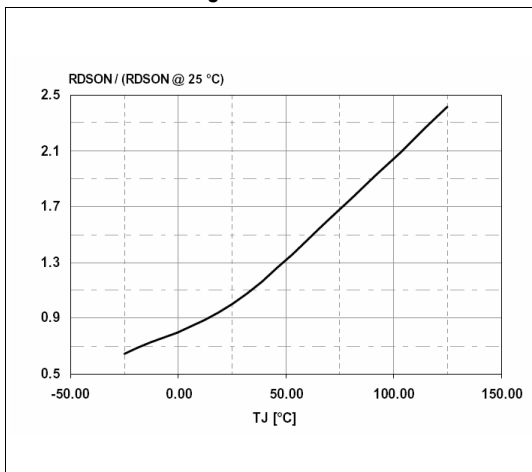


Figure 18. Power MOSFET break down voltage vs T_J

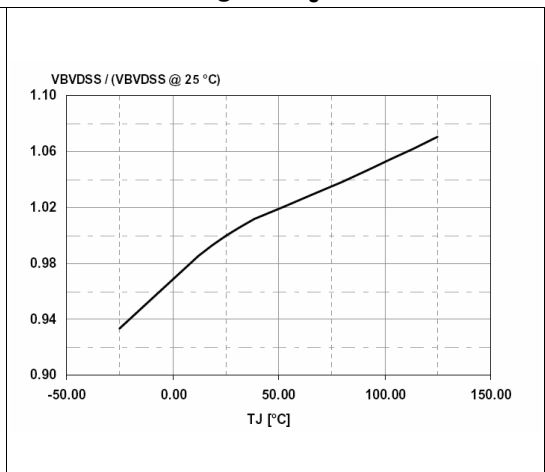
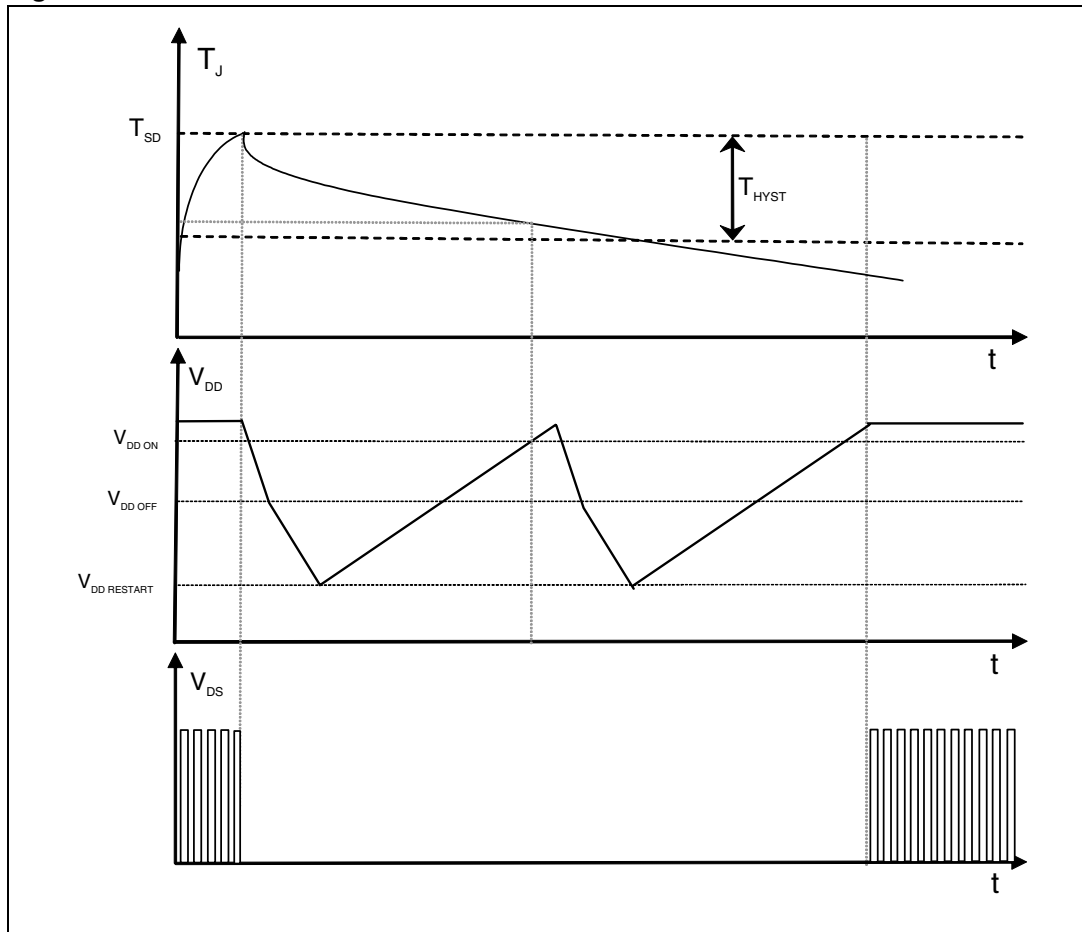


Figure 19. Thermal shutdown



6 Typical circuit

Figure 20. Flyback application (basic)

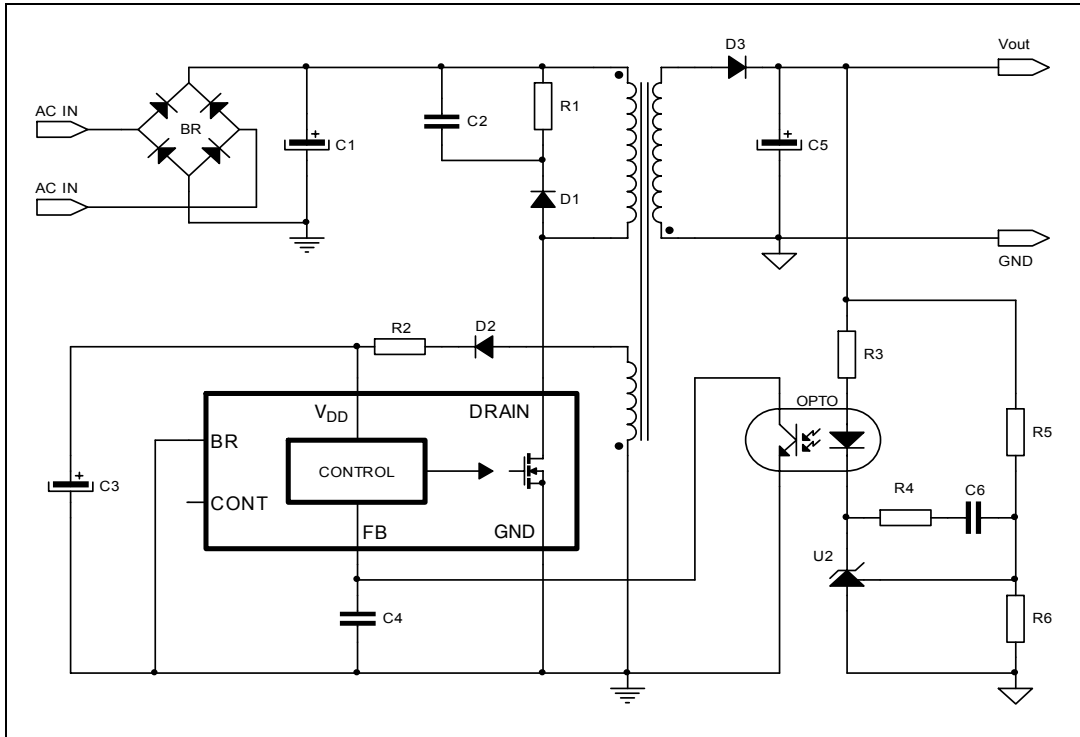
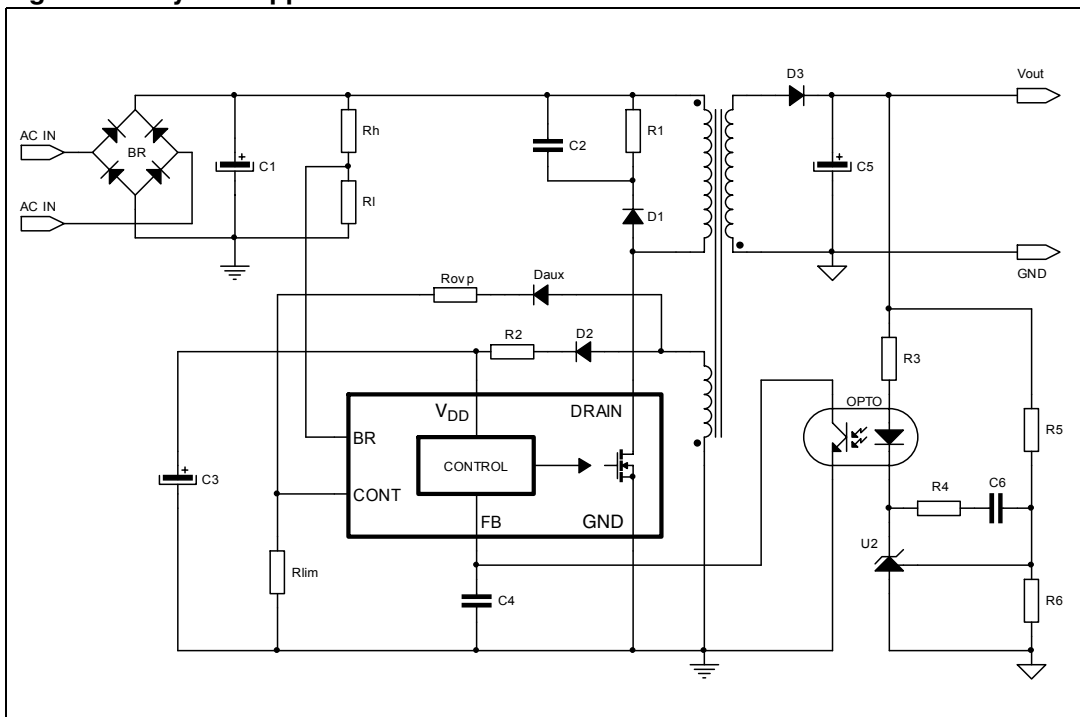


Figure 21. Flyback application



7 Operation descriptions

VIPER17 is a high-performance low-voltage PWM controller chip with an 800 V, avalanche rugged Power section.

The controller includes: the oscillator with jittering feature, the start up circuits with soft-start feature, the PWM logic, the current limit circuit with adjustable set point, the second over current circuit, the burst mode management, the brown-out circuit, the UVLO circuit, the auto-restart circuit and the thermal protection circuit.

The current limit set-point is set by the CONT pin. The burst mode operation guaranties high performance in the stand-by mode and helps in the energy saving norm accomplishment.

All the fault protections are built in Auto Restart Mode with very low repetition rate to prevent IC's over heating.

7.1 Power section and gate driver

The Power section is implemented with an avalanche ruggedness N-channel MOSFET, which guarantees safe operation within the specified energy rating as well as high dv/dt capability. The Power section has a BV_{DSS} of 800 V min. and a typical $R_{DS(on)}$ of 20 Ω at 25 °C.

The integrated SenseFET structure allows a virtually loss-less current sensing.

The gate driver is designed to supply a controlled gate current during both turn-on and turn-off in order to minimize common mode EMI. Under UVLO conditions an internal pull-down circuit holds the gate low in order to ensure that the Power section cannot be turned on accidentally.

7.2 High voltage startup generator

The HV current generator is supplied through the DRAIN pin and it is enabled only if the input bulk capacitor voltage is higher than V_{DRAIN_START} Threshold, 80 V_{DC} typically. When the HV current generator is ON, the I_{DD_ch} current (3 mA typical value) is delivered to the capacitor on the V_{DD} pin. In case of Auto Restart mode after a fault event, the I_{DD_ch} current is reduced to 0.6 mA, typ. in order to have a slow duty cycle during the restart phase.

7.3 Power-up and soft-start up

If the input voltage rises up till the device start level (V_{DRAIN_START}), the V_{DD} voltage begins to grow due to the I_{DD_ch} current (see [Table 6 on page 7](#)) coming from the internal high voltage start up circuit. If the V_{DD} voltage reaches V_{DDon} threshold (~14 V) the power MOSFET starts switching and the HV current generator is turned OFF. See [Figure 23 on page 17](#).

The IC is powered by the energy stored in the capacitor on the VDD Pin, C_{VDD} , until when the self-supply circuit (typically an auxiliary winding of the transformer and a steering diode) develops a voltage high enough to sustain the operation.

C_{VDD} capacitor must be sized enough to avoid fast discharge and keep the needed voltage value higher than V_{DDoff} threshold. In fact, a too low capacitance value could terminate the switching operation before the controller receives any energy from the auxiliary winding.

The following formula can be used for the V_{DD} capacitor calculation:

Equation 1

$$C_{VDD} = \frac{I_{DDch} \times t_{SSaux}}{V_{DDon} - V_{DDoff}}$$

The t_{SSaux} is the time needed for the steady state of the auxiliary voltage. This time is estimated by applicator according to the output stage configurations (transformer, output capacitances, etc).

During the converter start up time, the drain current limitation is progressively increased to the maximum value. In this way the stress on the secondary diode is considerably reduced. It also helps to prevent transformer saturation. The soft-start time lasts 8.5 ms and the feature is implemented for every attempt of start up converter or after a fault.

Figure 22. Start up I_{DD} current

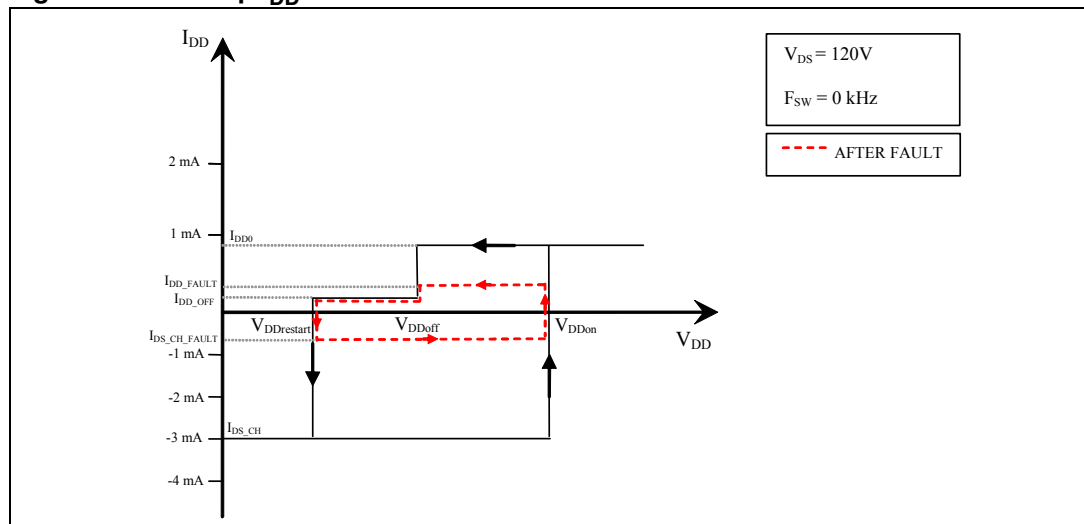


Figure 23. Timing diagram: normal power-up and power-down sequences

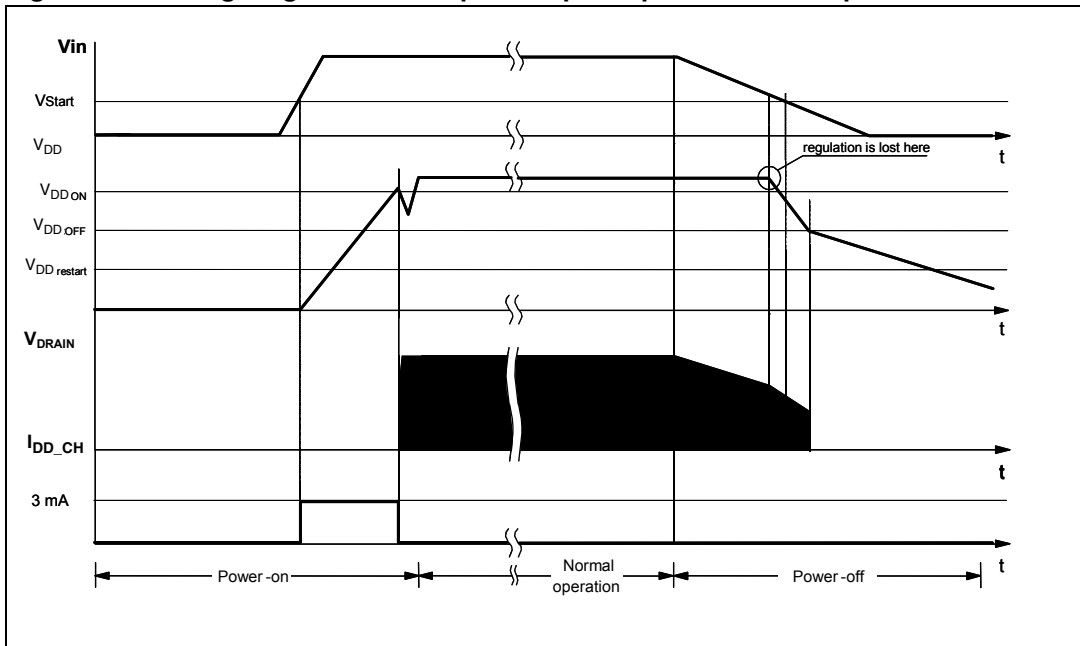
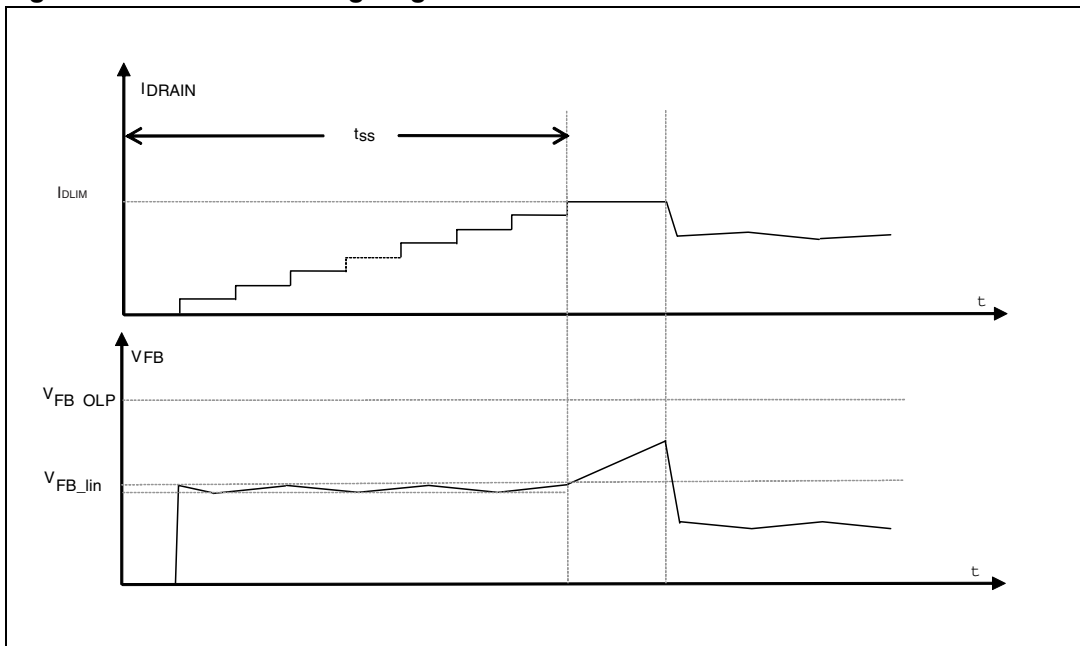


Figure 24. Soft-start: timing diagram



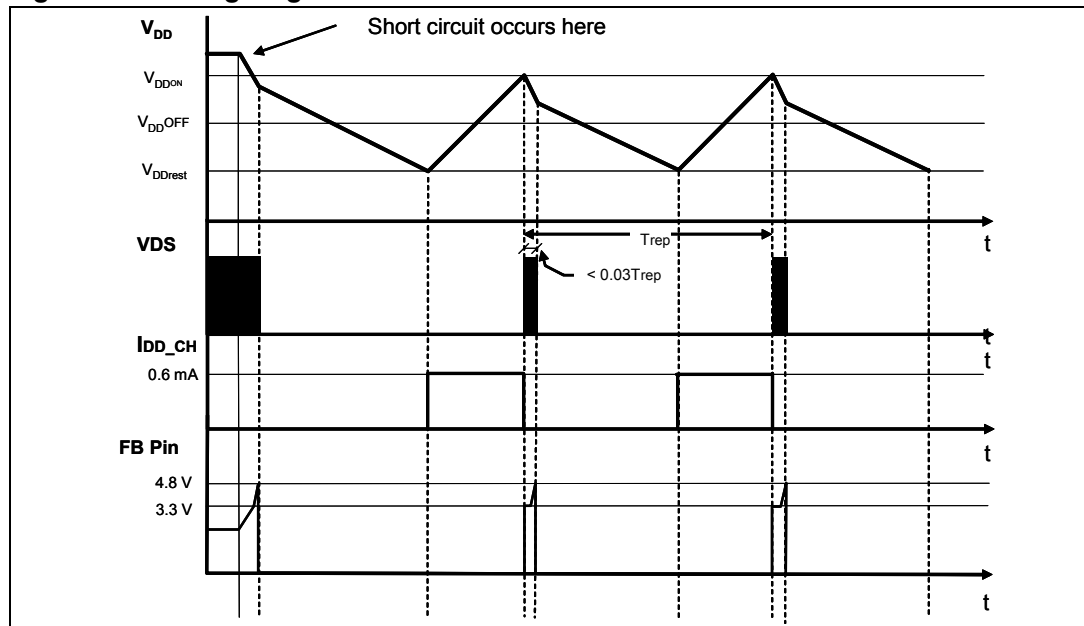
7.4 Power down operation

At converter power down, the system loses regulation as soon as the input voltage is so low that the peak current limitation is reached. The V_{DD} voltage drops and when it falls below the V_{DDoff} threshold (8 V typical) the power MOSFET is switched OFF, the energy transfers to the IC interrupted and consequently the V_{DD} voltages decreases, *Figure 23 on page 17*. Later, if the V_{IN} is lower than V_{DRAIN_START} (80 V typical), the start up sequence is inhibited and the power down completed. This feature is useful to prevent converter’s restart attempts and ensures monotonic output voltage decay during the system power down.

7.5 Auto restart operation

If after a converter power down, the V_{IN} is higher than V_{DRAIN_START} , the start up sequence is not inhibited and will be activated only when the V_{DD} voltage drops down the $V_{DDrestart}$ threshold (4.5 V typical). This means that the HV start up current generator restarts the V_{DD} capacitor charging only when the V_{DD} voltage drops below $V_{DDrestart}$. The scenario above described is for instance a power down because of a fault condition. After a fault condition, the charging current is 0.6 mA (typ.) instead of the 3 mA (typ.) of a normal start up converter phase. This feature together with the low $V_{DDrestart}$ threshold (4.5 V) ensures that, after a fault, the restart attempts of the IC has a very long repetition rate and the converter works safely with extremely low power throughput. The *Figure 25* shows the IC behavioral after a short circuit event.

Figure 25. Timing diagram: behavior after short circuit



7.6 Oscillator

The switching frequency is internally fixed to 60 kHz or 115 kHz. In both case the switching frequency is modulated by approximately ± 4 kHz (60 kHz version) or ± 8 kHz (115 kHz version) at 250 Hz (typical) rate, so that the resulting spread-spectrum action distributes the energy of each harmonic of the switching frequency over a number of side-band harmonics having the same energy on the whole but smaller amplitudes.

7.7 Current mode conversion with adjustable current limit set point

The device is a current mode converter: the drain current is sensed and converted in voltage that is applied to the non inverting pin of the PWM comparator. This voltage is compared with the one on the feedback pin through a voltage divider on cycle by cycle basis.

The VIPER17 has a default current limit value, I_{DLIM} , that the designer can adjust according the electrical specification, by the R_{LIM} resistor connected to the CONT see [Figure 8 on page 11](#).

The CONT pin has a minimum current sunk needed to activate the I_{DLIM} adjustment: without R_{LIM} or with high R_{LIM} (i.e. 100 K Ω) the current limit is fixed to the default value (see I_{DLIM} , [Table 8 on page 8](#)).

7.8 Over Voltage Protection (OVP)

The device can monitor the converter output voltage. This operation is done by CONT pin during power MOSFET OFF-time, when the voltage generated by the auxiliary winding tracks converter's output voltage, through turn ratio $\frac{N_{AUX}}{N_{SEC}}$. See [Figure 26](#).

In order to perform the output voltage monitor, the CONT pin has to be connected to the aux winding through a resistor divider made up by R_{LIM} and R_{OVP} (see [Figure 21](#) and [Figure 27](#)). If the voltage applied to the CONT pin exceeds the internal 3 V reference for four consecutive times the controller recognizes an over voltage condition. This special feature uses an internal counter; that is to reduce sensitivity to noise and prevent the latch from being erroneously activated. see [Figure 26 on page 20](#). The counter is reset every time the OVP signal is not triggered in one oscillator cycle.

Referring to the [Figure 21](#), the resistors divider ratio k_{OVP} will be given by:

Equation 2

$$k_{OVP} = \frac{V_{OVP}}{\frac{N_{AUX}}{N_{SEC}} \cdot (V_{OUTOVP} + V_{DSEC}) - V_{DAUX}}$$

Equation 3

$$k_{OVP} = \frac{R_{LIM}}{R_{LIM} + R_{OVP}}$$

Where:

- V_{OVP} is the OVP threshold (see [Table 8 on page 8](#))
- $V_{OUT\ OVP}$ is the converter output voltage value to activate the OVP set by designer
- N_{AUX} is the auxiliary winding turns
- N_{SEC} is the secondary winding turns
- V_{DSEC} is the secondary diode forward voltage
- V_{DAUX} is the Auxiliary diode forward voltage
- R_{OVP} together R_{LIM} make the Output Voltage divider

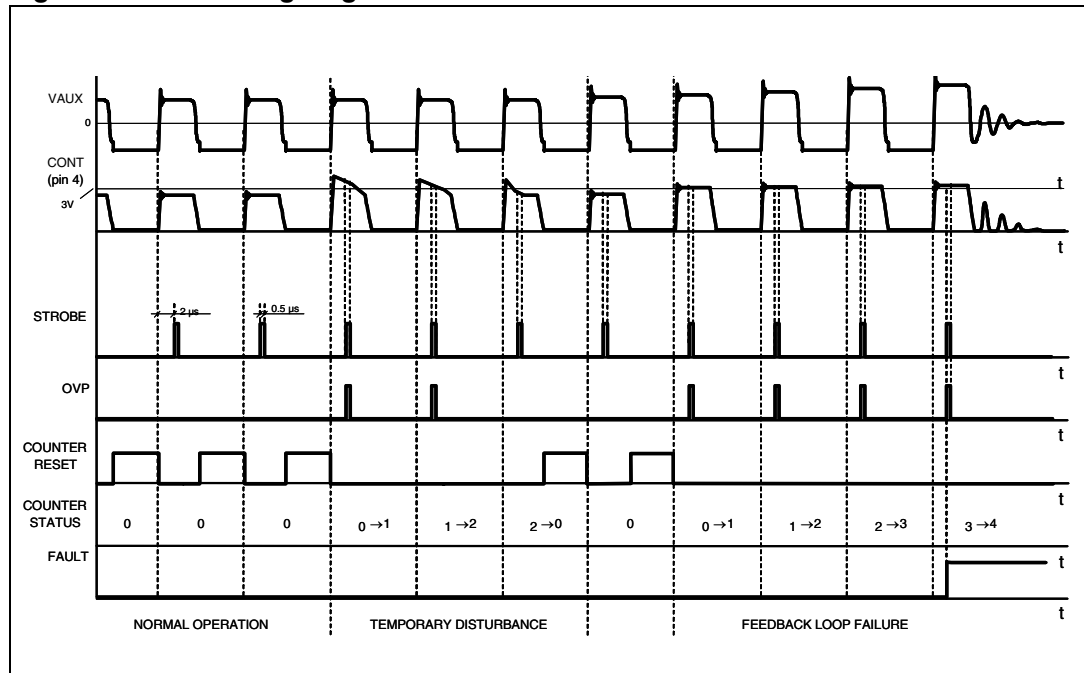
Then, fixed R_{LIM} , according to the desired I_{DLIM} , the R_{OVP} can be calculating by:

Equation 4

$$R_{OVP} = R_{LIM} \times \frac{1 - k_{OVP}}{k_{OVP}}$$

The resistor values will be such that the current sourced and sunk by the CONT pin be within the rated capability of the internal clamp.

Figure 26. OVP timing diagram



7.9 About CONT pin

Referring to the [Figure 27](#), through the CONT PIN, the below features can be implemented:

1. Current Limit set point
2. Over Voltage Protection on the converter output voltage

The [Table 9 on page 21](#) referring to the [Figure 27](#), lists the external resistance combinations needed to activate one or plus of the CONT pin functions.

Figure 27. CONT pin configuration

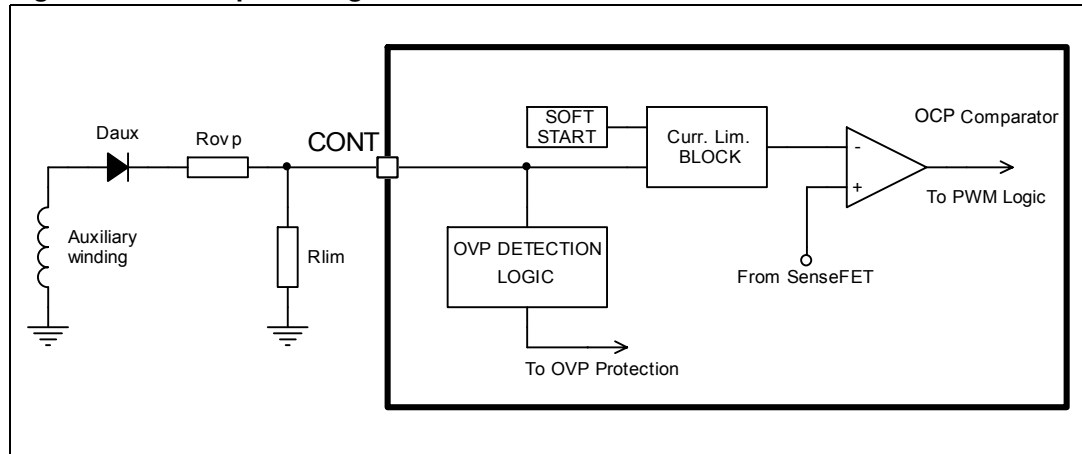


Table 9. CONT pin configurations

| Function / component | $R_{LIM}^{(1)}$ | R_{OVP} | D_{AUX} |
|----------------------------|------------------------------|--------------------------------|-----------|
| I_{DLIM} reduction | See Figure 8 | No | No |
| OVP | $\geq 80 K\Omega$ | See Equation 4 | Yes |
| I_{DLIM} reduction + OVP | See Figure 8 | See Equation 4 | Yes |

1. R_{LIM} have to be fixed before R_{FF} and R_{OVP}

7.10 Feed-back and Over Load Protection (OLP)

The VIPER17 is a current mode converter: the feedback pin controls the PWM operation, controls the burst mode and activates the overload protection of the device. [Figure 28 on page 23](#) and [Figure 29](#) show the internal current mode structure.

With the feedback pin voltage between V_{FB_bm} and V_{FB_lin} , (respectively 0.5 V and 3.3 V, typical values) the drain current is sensed and converted in voltage that is applied to the non inverting pin of the PWM comparator.

This voltage is compared with the one on the feedback pin through a voltage divider on cycle by cycle basis. When these two voltages are equal, the PWM logic orders the switch off of the power MOSFET. The drain current is always limited to I_{DLIM} value.

In case of overload the feedback pin increases in reaction to this event and when it goes higher than V_{FB_lin} the drain current is limited or to the default I_{DLIM} value or the one

imposed through a resistor at the CONT pin (using the R_{LIM} , see [Figure 8 on page 11](#)); the PWM comparator is disabled.

At the same time an internal current generator starts to charge the feedback capacitor (C_{FB}) and when the feedback voltage reaches the V_{FB_olp} threshold, the converter is turned off and the start up phase is activated with reduced value of I_{charge} to 0.6 mA.

During the first start up phase of the converter, after the soft-start up time (typical value is 8.5 ms) the output voltage could force the feedback pin voltage to rise up to the V_{FB_olp} threshold that switches off the converter itself.

To avoid this event, the appropriate feedback network has to be selected according to the output load. More the network feedback fixes the compensation loop stability. The [Figure 28 on page 23](#) and [Figure 29](#) show the two different feedback networks.

The time from the over load detection ($V_{FB} = V_{FB_lin}$) to the device shutdown ($V_{FB} = V_{FB_olp}$) can be calculating by C_{FB} value (see [Figure 28 on page 23](#) and [Figure 29](#)), using the formula:

Equation 5

$$T_{OLP_delay} = C_{FB} \times \frac{V_{FBolp} - V_{FBlin}}{3\mu A}$$

In the [Figure 28](#), the capacitor connected to FB pin (C_{FB}) is used as part of the circuit to compensate the feedback loop but also as element to delay the OLP shut down owing to the time needed to charge the capacitor (see equation 5).

After the start up time, 8.5 ms typ value, during which the feedback voltage is fixed at V_{FB_lin} , the output capacitor could not be at its nominal value and the controller interpret this situation as an over load condition. In this case, the OLP delay helps to avoid an incorrect device shut down during the start up.

Owing to the above considerations, the OLP delay time must be long enough to by-pass the initial output voltage transient and check the over load condition only when the output voltage is in steady state. The output transient time depends from the value of the output capacitor and from the load.

When the value of the C_{FB} capacitor calculated for the loop stability is too low and cannot ensure enough OLP delay, an alternative compensation network can be used and it is showed in [Figure 29 on page 24](#).

Using this alternative compensation network, two poles (f_{PFB} , f_{PFB1}) and one zero (f_{ZFB}) are introduced by the capacitors C_{FB} and C_{FB1} and the resistor R_{FB1} .

The capacitor C_{FB} introduces a pole (f_{PFB}) at higher frequency than f_{ZB} and f_{PFB1} . This pole is usually used to compensate the high frequency zero due to the ESR (Equivalent Series Resistor) of the output capacitance of the fly-back converter.

The mathematical expressions of these poles and zero frequency, considering the scheme in [Figure 29](#) are reported by the equations below:

Equation 6

$$f_{ZFB} = \frac{1}{2 \cdot \pi \cdot C_{FB1} \cdot R_{FB1}}$$

Equation 7

$$f_{\text{PFB}} = \frac{R_{\text{FB(DYN)}} + R_{\text{FB1}}}{2 \cdot \pi \cdot C_{\text{FB}} \cdot (R_{\text{FB(DYN)}} \cdot R_{\text{FB1}})}$$

Equation 8

$$f_{\text{PFB1}} = \frac{1}{2 \cdot \pi \cdot C_{\text{FB1}} \cdot (R_{\text{FB1}} + R_{\text{FB(DYN)}})}$$

The $R_{\text{FB(DYN)}}$ is the dynamic resistance seen by the FB pin and reported on [Figure 4 on page 10](#).

The C_{FB1} capacitor fixes the OLP delay and usually C_{FB1} results much higher than C_{FB} . The equation 5 can be still used to calculate the OLP delay time but C_{FB1} has to be considered instead of C_{FB} . Using the alternative compensation network, the designer can satisfy, in all case, the loop stability and the enough OLP delay time alike.

Figure 28. FB pin configuration

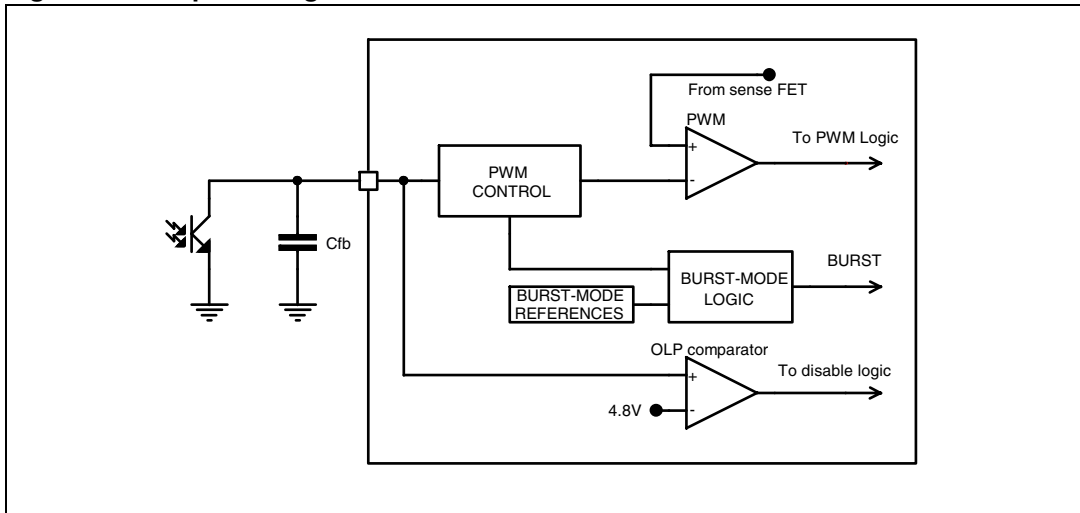
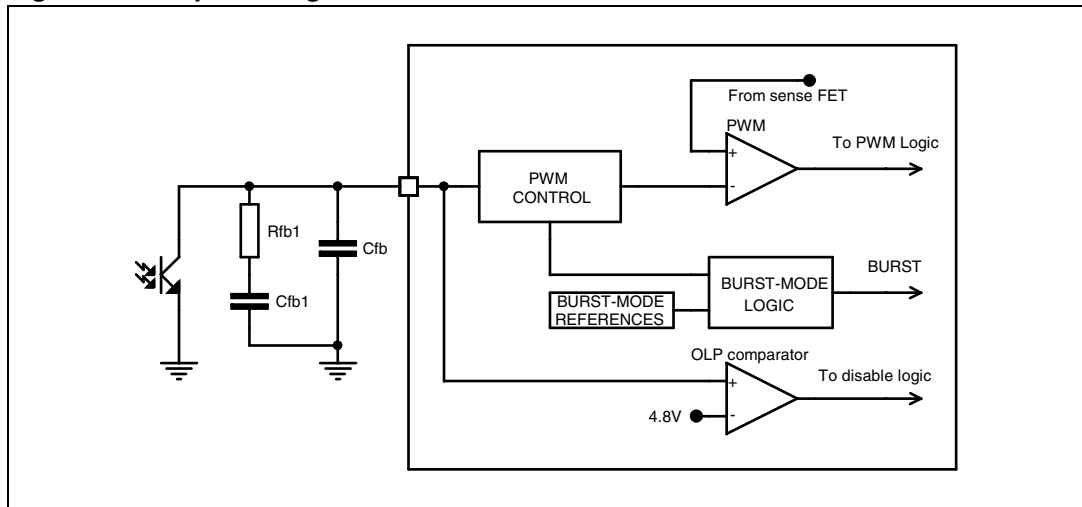


Figure 29. FB pin configuration

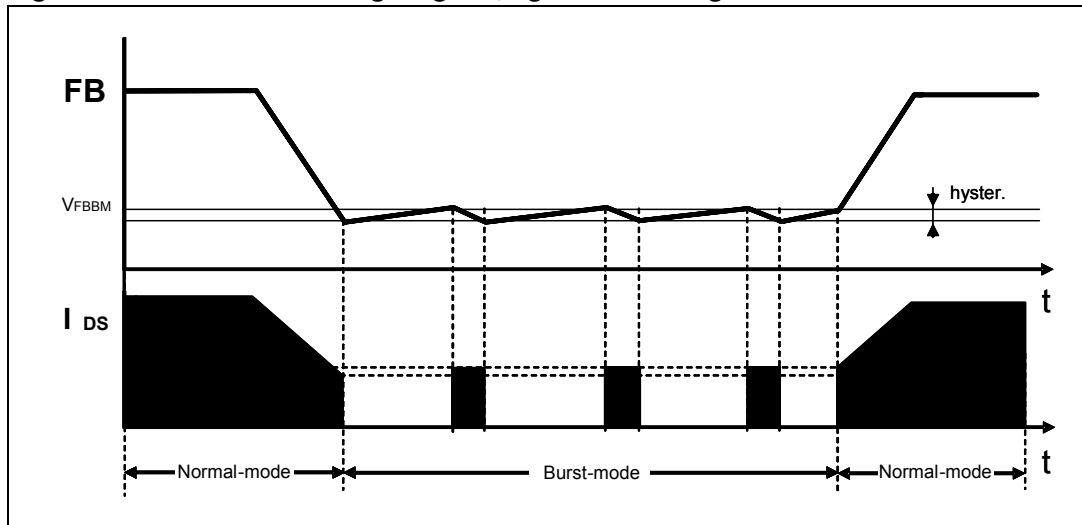


7.11 Burst-mode operation at no load or very light load

When the voltage on feedback pin falls down 50 mV below the burst mode threshold, V_{FBbm} , power MOSFET is not more allowed to be switched on. It can be switched on again if the voltage on feedback pin exceeds V_{FBbm} . The voltage on PWM comparator non inverting internal input, connected to feedback pin through a resistive voltage divider, is lower clamped to a certain value leading to a minimum value, of 90 mA (typ.) for the drain peak current.

When the load decrease the feedback loop reacts lowering the feedback pin voltage. As the voltage goes 50mV below V_{FBbm} MOSFET stops switching. After the MOSFET stops, as a result of the feedback reaction to the energy delivery stop, the feedback pin voltage increases and exceeding V_{FBbm} threshold MOSFET the power device start switching again. [Figure 30](#) shows this behavior called burst mode. Systems alternates period of time where power MOSFET is switching to period of time where power MOSFET is not switching. The power delivered to output during switching periods exceeds the load power demands; the excess of power is balanced from not switching period where no power is processed. The advantage of burst mode operation is an average switching frequency much lower then the normal operation working frequency, up to some hundred of hertz, minimizing all frequency related losses.

Figure 30. Burst mode timing diagram, light load management



7.12 Brown-out protection

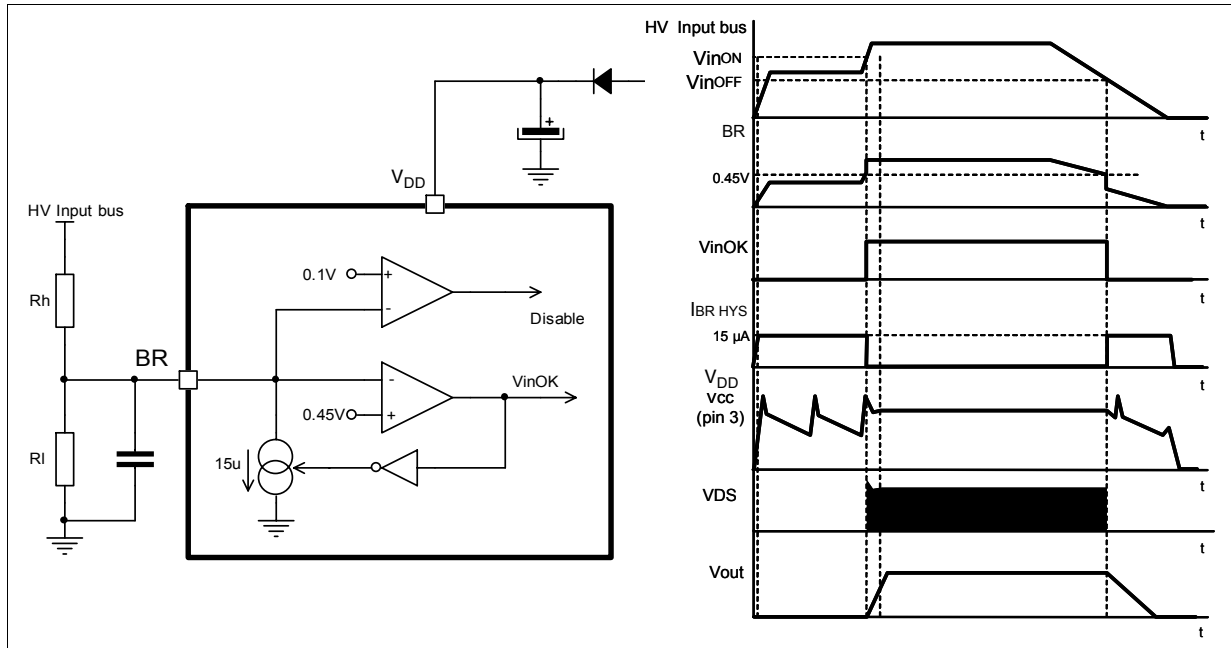
Brown-out protection is a not-latched shutdown function activated when a condition of mains under voltage is detected.

The Brown-out comparator is internally referenced to V_{BRth} , 0.45 V typ value, and disables the PWM if the voltage applied at the BR pin is below this internal reference. Under this condition the power MOSFET is turned off. Until the Brown out condition is present, the VDD voltage continuously oscillates between the V_{DDon} and the UVLO thresholds, as shown in the timing diagram of [Figure 31 on page 26](#). A voltage hysteresis is present to improve the noise immunity.

The switching operation is restarted as the voltage on the pin is above the reference plus the before said voltage hysteresis. See [Figure 31](#).

The Brown-out comparator is provided also with a current hysteresis, I_{BRhyst} . With this approach is possible to set the V_{INon} threshold and V_{INoff} thresholds separately, by properly choosing the resistors of the divider connect to the BR pin.

Figure 31. Brown-out protection: BR external setting and timing diagram



Fixed the V_{INon} and the V_{INoff} levels, with reference to [Figure 31](#), the following relationships can be established for the calculation of the resistors R_H and R_L :

Equation 9

$$R_L = -\frac{V_{BRHYST}}{I_{BRHYST}} + \frac{V_{INon} - V_{INoff} - V_{BRHYST}}{V_{INoff} - V_{BR}} \times \frac{V_{BR}}{I_{BRHYST}}$$

Equation 10

$$R_H = \frac{V_{INon} - V_{INoff} - V_{BRHYST}}{I_{BRHYST}} \times \frac{R_L}{R_L + \frac{V_{BRHYST}}{I_{BRHYST}}}$$

For a proper operation of this function, V_{INon} must be less than the peak voltage at minimum mains and V_{INoff} less than the minimum voltage on the input bulk capacitor at minimum mains and maximum load.

The BR pin is a high impedance input connected to high value resistors, thus it is prone to pick up noise, which might alter the OFF threshold when the converter operates or gives origin to undesired switch-off of the device during ESD tests.

It is possible to bypass the pin to ground with a small film capacitor (e.g. 1-10 nF) to prevent any malfunctioning of this kind.

If the Brown-out function is not used the pin has to be connected to GND.

7.13 2nd level over current protection and hiccup mode

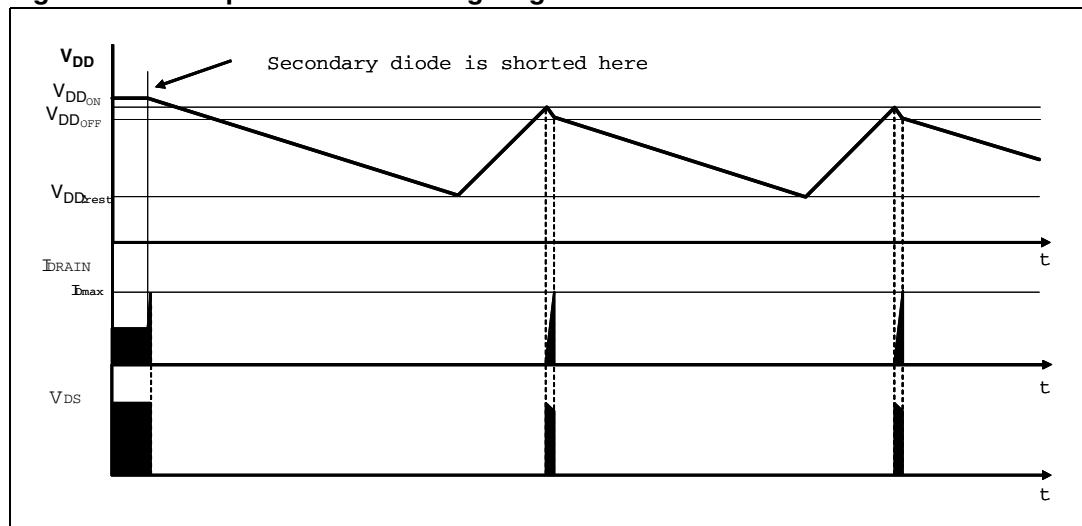
The VIPER17 is protected against short circuit of the secondary rectifier, short circuit on the secondary winding or a hard-saturation of fly-back transformer. Such as anomalous condition is invoked when the drain current exceed 0.6 A typical.

To distinguish a real malfunction from a disturbance (e.g. induced during ESD tests) a “warning state” is entered after the first signal trip. If in the subsequent switching cycle the signal is not tripped, a temporary disturbance is assumed and the protection logic will be reset in its idle state; otherwise if the 2nd OCP threshold is exceeded for two consecutive switching cycles a real malfunction is assumed and the power MOSFET is turned OFF.

The shutdown condition is latched as long as the device is supplied. While it is disabled, no energy is transferred from the auxiliary winding; hence the voltage on the V_{DD} capacitor decays till the V_{DD} under voltage threshold (V_{DDoff}), which clears the latch.

The start up HV current generator is still off, until V_{DD} voltage goes below its restart voltage, V_{DDrest} . After this condition the V_{DD} capacitor is charged again by 600 mA current, and the converter switching restart if the V_{DDon} occurs. If the fault condition is not removed the device enters in auto-restart mode. This behavioral, results in a low-frequency intermittent operation (Hiccup-mode operation), with very low stress on the power circuit. See the timing diagram of [Figure 32](#).

Figure 32. Hiccup-mode OCP: timing diagram



8 Package mechanical data

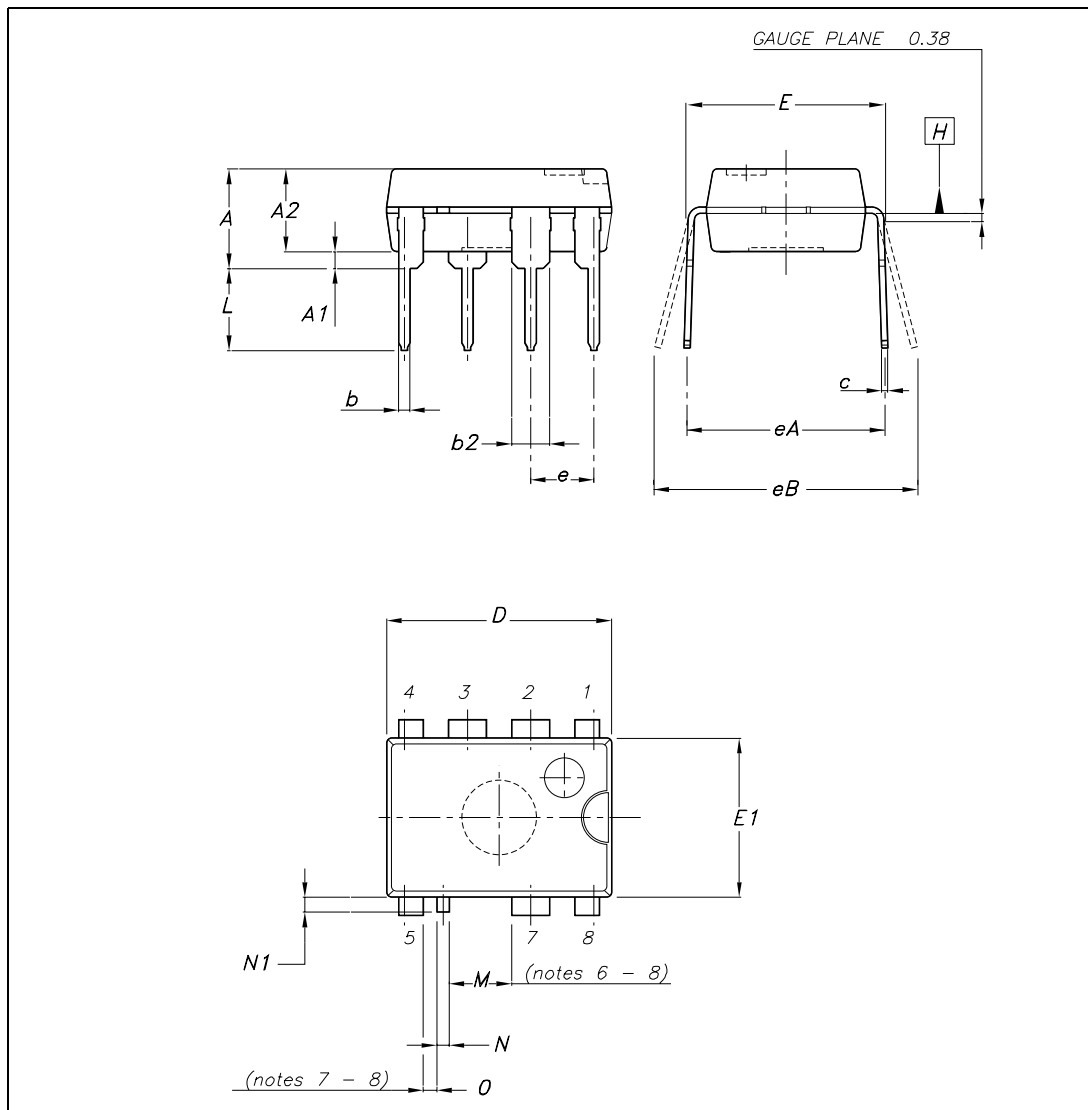
In order to meet environmental requirements, ST offers these devices in ECOPACK® packages. These packages have a lead-free second level interconnect. The category of second Level Interconnect is marked on the package and on the inner box label, in compliance with JEDEC Standard JESD97. The maximum ratings related to soldering conditions are also marked on the inner box label. ECOPACK is an ST trademark. ECOPACK specifications are available at: www.st.com.

Table 10. DIP-7 mechanical data

| Dim. | mm | | |
|---------------------|-------|------|-------|
| | Typ | Min | Max |
| A | | | 5,33 |
| A1 | | 0,38 | |
| A2 | 3,30 | 2,92 | 4,95 |
| b | 0,46 | 0,36 | 0,56 |
| b2 | 1,52 | 1,14 | 1,78 |
| c | 0,25 | 0,20 | 0,36 |
| D | 9,27 | 9,02 | 10,16 |
| E | 7,87 | 7,62 | 8,26 |
| E1 | 6,35 | 6,10 | 7,11 |
| e | 2,54 | | |
| eA | 7,62 | | |
| eB | | | 10,92 |
| L | 3,30 | 2,92 | 3,81 |
| M ⁽⁶⁾⁽⁸⁾ | 2,508 | | |
| N | 0,50 | 0,40 | 0,60 |
| N1 | | | 0,60 |
| O ⁽⁷⁾⁽⁸⁾ | 0,548 | | |

- 1- The leads size is comprehensive of the thickness of the leads finishing material.
- 2- Dimensions do not include mold protrusion, not to exceed 0,25 mm in total (both side).
- 3- Package outline exclusive of metal burrs dimensions.
- 4- Datum plane "H" coincident with the bottom of lead, where lead exits body.
- 5- Ref. POA MOTHER doc. 0037880
- 6- Creepage distance >800 V
- 7- Creepage distance 250 V
- 8- Creepage distance as shown in the 664-1 CEI / IEC standard.

Figure 33. Package dimensions



9 Revision history

Table 11. Document revision history

| Date | Revision | Changes |
|-------------|----------|--|
| 14-Feb-2008 | 1 | Initial release |
| 19-Feb-2008 | 2 | Updated: <i>Figure 1 on page 1, Figure 3 on page 5</i> |

Please Read Carefully:

Information in this document is provided solely in connection with ST products. STMicroelectronics NV and its subsidiaries ("ST") reserve the right to make changes, corrections, modifications or improvements, to this document, and the products and services described herein at any time, without notice.

All ST products are sold pursuant to ST's terms and conditions of sale.

Purchasers are solely responsible for the choice, selection and use of the ST products and services described herein, and ST assumes no liability whatsoever relating to the choice, selection or use of the ST products and services described herein.

No license, express or implied, by estoppel or otherwise, to any intellectual property rights is granted under this document. If any part of this document refers to any third party products or services it shall not be deemed a license grant by ST for the use of such third party products or services, or any intellectual property contained therein or considered as a warranty covering the use in any manner whatsoever of such third party products or services or any intellectual property contained therein.

UNLESS OTHERWISE SET FORTH IN ST'S TERMS AND CONDITIONS OF SALE ST DISCLAIMS ANY EXPRESS OR IMPLIED WARRANTY WITH RESPECT TO THE USE AND/OR SALE OF ST PRODUCTS INCLUDING WITHOUT LIMITATION IMPLIED WARRANTIES OF MERCHANTABILITY, FITNESS FOR A PARTICULAR PURPOSE (AND THEIR EQUIVALENTS UNDER THE LAWS OF ANY JURISDICTION), OR INFRINGEMENT OF ANY PATENT, COPYRIGHT OR OTHER INTELLECTUAL PROPERTY RIGHT.

UNLESS EXPRESSLY APPROVED IN WRITING BY AN AUTHORIZED ST REPRESENTATIVE, ST PRODUCTS ARE NOT RECOMMENDED, AUTHORIZED OR WARRANTED FOR USE IN MILITARY, AIR CRAFT, SPACE, LIFE SAVING, OR LIFE SUSTAINING APPLICATIONS, NOR IN PRODUCTS OR SYSTEMS WHERE FAILURE OR MALFUNCTION MAY RESULT IN PERSONAL INJURY, DEATH, OR SEVERE PROPERTY OR ENVIRONMENTAL DAMAGE. ST PRODUCTS WHICH ARE NOT SPECIFIED AS "AUTOMOTIVE GRADE" MAY ONLY BE USED IN AUTOMOTIVE APPLICATIONS AT USER'S OWN RISK.

Resale of ST products with provisions different from the statements and/or technical features set forth in this document shall immediately void any warranty granted by ST for the ST product or service described herein and shall not create or extend in any manner whatsoever, any liability of ST.

ST and the ST logo are trademarks or registered trademarks of ST in various countries.

Information in this document supersedes and replaces all information previously supplied.

The ST logo is a registered trademark of STMicroelectronics. All other names are the property of their respective owners.

© 2008 STMicroelectronics - All rights reserved

STMicroelectronics group of companies

Australia - Belgium - Brazil - Canada - China - Czech Republic - Finland - France - Germany - Hong Kong - India - Israel - Italy - Japan - Malaysia - Malta - Morocco - Singapore - Spain - Sweden - Switzerland - United Kingdom - United States of America

www.st.com